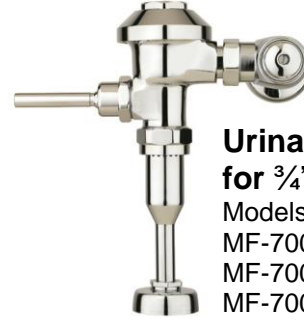




INSTALLATION INSTRUCTIONS FOR EXPOSED WATER CLOSET (TOILET) AND URINAL FLUSHOMETERS



Water Closet Flushometer for 1 1/2" Top Spud
 Models
 MF-700-T11 (HET)
 MF-700-T12 (HET)
 MF-700-DFT (HET)
 MF-700-T16 (LC)



Urinal Flushometer for 3/4" Top Spud
 Models
 MF-700-U18 (HEU)
 MF-700-U05 (HEU)
 MF-700-U10 (LC)

PRIOR TO INSTALLATION

!!! IMPORTANT !!!

PLEASE READ THIS MANUAL ENTIRELY TO INSURE PROPER PRODUCT INSTALLATION AND OPERATION. IF YOU HAVE ANY QUESTIONS OR REQUIRE FURTHER ASSISTANCE PLEASE CONTACT YOUR LOCAL AMTC REPRESENTATIVE OR CALL AMTC TECHNICAL SUPPORT AT 1-800-874-7822.

Before you install the flushometer, make sure that the items listed below are installed.

- Fixture
- Drain Line
- Water Supply Line

IMPORTANT:

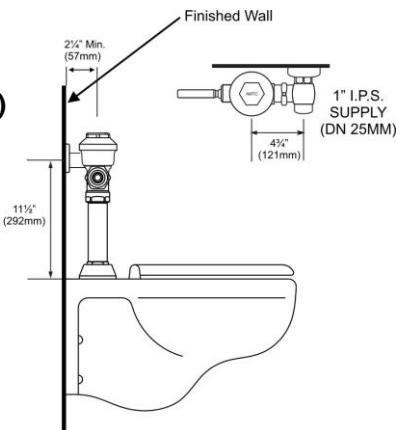
- ALL PLUMBING SHOULD BE INSTALLED IN ACCORDANCE WITH APPLICABLE CODES AND REGULATIONS. ONCE YOU INSTALL A SPECIFIC MODEL, IT CANNOT BE ADJUSTED UP OR DOWN
- WATER SUPPLY LINES MUST BE SIZED TO PROVIDE AN ADEQUATE VOLUME OF WATER FOR EACH FIXTURE
- FLUSH ALL WATER LINES PRIOR TO MAKING CONNECTIONS

AMTC's flushometers are designed to operate with 10 to 100 psi (69 to 689 kPa) of water pressure. THE MINIMUM PRESSURE REQUIRED TO THE VALVE IS DETERMINED BY THE TYPE OF FIXTURE SELECTED. Consult fixture manufacturer for minimum pressure requirements. Most High Efficiency (HET) and Low Consumption (LC) water closets (toilets) require a minimum flowing pressure of 25 psi (172 kPa).

ROUGH-INS

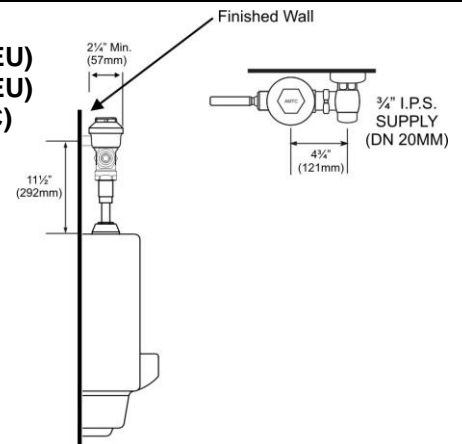
Models

MF-700-T11 (HET)
 MF-700-T12 (HET)
 MF-700-DFT (HET)
 MF-700-T16 (LC)



Models

MF-700-U18 (HEU)
 MF-700-U05 (HEU)
 MF-700-U10 (LC)



!!! IMPORTANT !!!

WHEN MOUNTED ON AN ADA ACCESSIBLE BOWL, THE ROUGH-IN TO THE SUPPLY INLET SHOULD BE NO HIGHER THAN 37 1/2" OR THE HANDLE WILL EXCEED MAX. HEIGHT ALLOWANCES UNDER ADA GUIDELINES. CHECK YOUR LOCAL ADA REQUIREMENTS AS THEY MAY VARY.

TOOLS REQUIRED FOR INSTALLATION

- Flat Head Screwdriver
- Pliers
- Smooth Jawed Spud Wrench

!!! IMPORTANT !!!

DO NOT USE TOOTHED TOOLS TO INSTALL OR SERVICE THE PRODUCT AS IT MAY DAMAGE THE CHROME.

!!! IMPORTANT !!!

NEVER OPEN CONTROL STOP WHERE THE WATER FLOW EXCEEDS THE FLOW CAPABILITY OF THE FIXTURE. IN THE EVENT OF A FAILURE, THE FIXTURE MUST BE ABLE TO ACCOMMODATE A CONTINUOUS FLOW FROM THE VALVE.

!!! IMPORTANT !!!

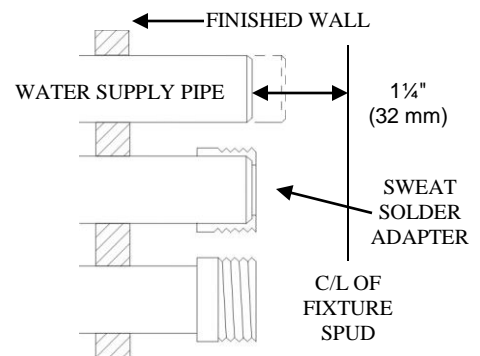
DO NOT USE PIPE SEALANT OR PLUMBING GREASE ON ANY COMPONENT OF THE PRODUCT EXCEPT FOR THE CONTROL STOP INLET.

!!! IMPORTANT !!!

THIS PRODUCT CONTAINS COMPONENTS THAT ARE SUBJECT TO NORMAL WEAR. MAKE SURE TO CHECK THESE COMPONENTS OCCASIONALLY AND REPLACE AS NEEDED TO MAINTAIN THE PRODUCT'S PERFORMANCE.

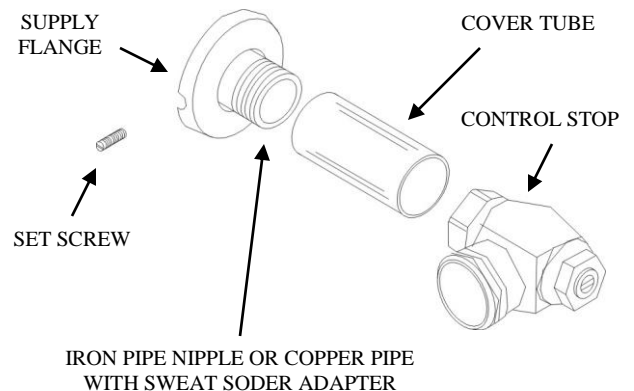
INSTALL OPTIONAL SWEAT SOLDER ADAPTER

1. Measure from finished wall to C/L of fixture spud. Cut pipe $1\frac{1}{4}$ " (32 mm) shorter than this measurement. Chamfer O.D. and I.D. of water supply pipe.
2. Slide thread adapter fully onto pipe.
3. Sweat solder the adapter to pipe.



INSTALL COVER TUBE, WALL FLANGE AND CONTROL STOP TO SUPPLY PIPE

1. Measure from finished wall to first thread of adapter or threaded supply pipe. Cut Cover Tube to this length.
2. Slide Cover Tube over pipe. Slide Supply Flange over Cover Tube until against wall.
3. Thread Control Stop onto pipe. Tighten with wrench
4. Tighten Set Screw with a $1/16$ " hex wrench.

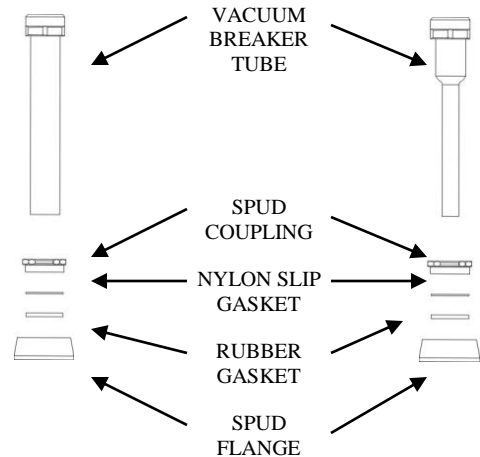


INSTALL VACUUM BREAKER FLUSH CONNECTION

1. Slide Spud Coupling, Nylon Slip Gasket, Rubber Gasket, and Spud Flange over Vacuum Breaker Tube.
2. Insert Tube into Fixture Spud.
3. Hand tighten Spud Coupling onto Fixture Spud.

Models
 MF-700-T11 (HET)
 MF-700-T12 (HET)
 MF-700-DFT (HET)
 MF-700-T16 (LC)

Models
 MF-700-U18 (HEU)
 MF-700-U05 (HEU)
 MF-700-U10 (LC)



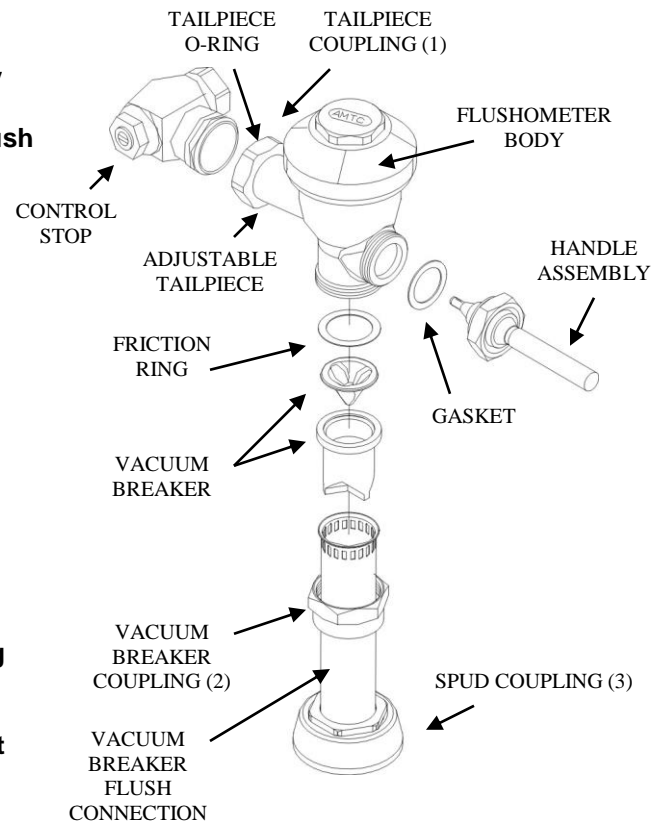
INSTALL FLUSHOMETER AND HANDLE ASSEMBLY

1. Lubricate Tailpiece O-ring with water. Insert Adjustable Tailpiece into Control Stop. Tighten Tailpiece Coupling by hand.
2. Align Flushometer directly above the Vacuum Breaker Flush Connection.
3. Tighten Vacuum Breaker Coupling by hand.

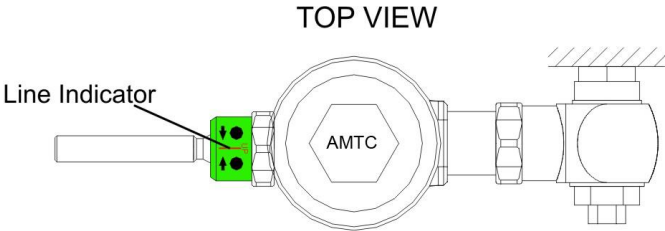
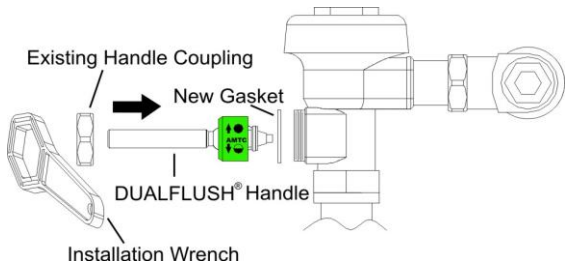
!!!IMPORTANT!!!
DO NOT USE PIPE THREAD SEALANT

NOTE:
 Maximum adjustment of the AMTC Adjustable Tailpiece is 1/2" (13 mm) In or Out from the standard 4-3/4" (121 mm) (center line of Flushometer to center line of Control Stop). If rough-in measurement exceeds 5-1/4" (133 mm), contact factory for longer tailpiece.

4. Align Flushometer Body and securely tighten first the Tailpiece Coupling (1), then the Vacuum Breaker Coupling (2), and finally the Spud Coupling (3). Use a wrench to tighten these couplings in the order shown.
5. Install the Handle Gasket and the Handle Assembly. Insert the Handle Assembly into the Handle opening in the Flushometer Body. Securely tighten the Handle Coupling with a wrench.
6. If installing Dual-Flush Flushometer (Model MF-700-DFT) refer to DUALFLUSH® Handle installation instructions on Page 4. If not then skip to Page 5.



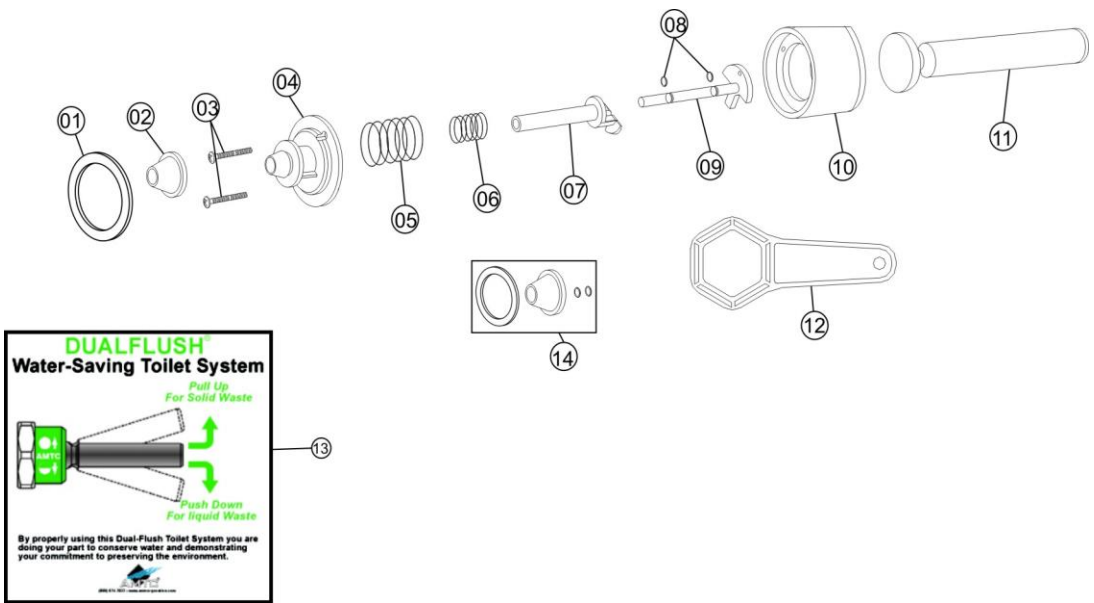
INSTALL DUALFLUSH® HANDLE (MODEL MF-700-DFT ONLY)



Install DUALFLUSH® Handle with "RED LINE" Indicator Facing "UP".

- 1. Install the Handle Gasket and DUALFLUSH® Handle Assembly. Insert the DUALFLUSH® Handle Assembly into the Handle opening in the Flushometer Body. Securely tighten the Handle Coupling with a wrench.**

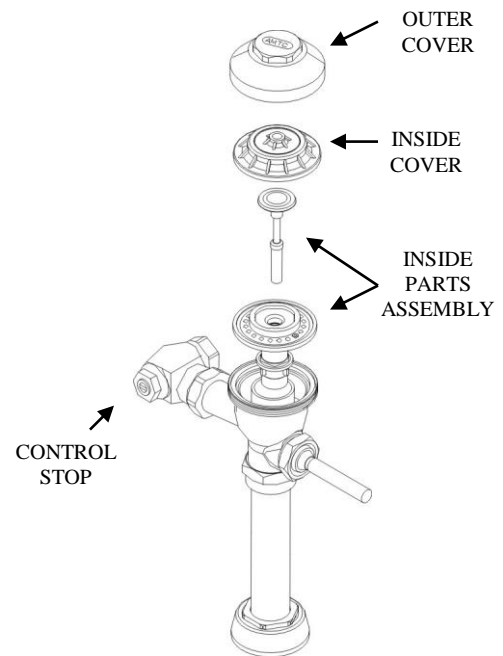
DUALFLUSH® HANDLE PARTS (MODEL MF-700-DFT ONLY)



Ref. No.	Part No.	Description
01	ADH01	Washer
02	ADH02	Seal
03	ADH03	Screw (Set of 2)
04	ADH04T16	Bushing 1.6gpf (Green)
04	ADH04T35	Bushing 3.5gpf (Blue)
05	ADH05T	Outer Spring
06	ADH06T	Inner Spring
07	ADH07T	Outer Shaft
08	ADH08T	O-Ring (Set of 2)
09	ADH09T	Inner Shaft
10	ADH10T	Socket
11	ADH11	Handle
12	ADH12	Wrench
13	ADH13T	Wall Sign
14	ADH14T	Seal Repair Kit (Includes ADH01, ADH02 & ADH08T)

FLUSH OUT SUPPLY LINE

1. Make sure Control Stop is CLOSED and remove Flushometer Outer Cover using a wrench.
2. Remove Inside Cover and lift out Inside Parts Assembly.
3. Re-install Outer and Inside Cover and tighten with wrench.
4. Open Control Stop to flush supply line. Close Control Stop and remove Outer and Inside Cover.
5. Re-install Outer and Inside Cover and tighten with wrench.



ADJUST CONTROL STOP

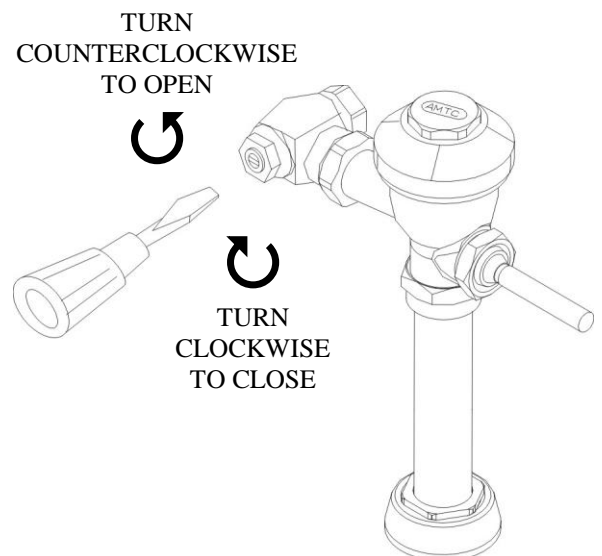
1. Open Control Stop COUNTERCLOCKWISE one FULL turn from closed position.
2. Activate Flushometer.
3. Adjust Control Stop after each flush until the rate of flow delivered properly cleanses the fixture.

!!!IMPORTANT!!!

AMTC's flushometers are engineered for quiet operation. Excessive water flow creates noise, while too little water flow may not allow the fixture to flush properly. Proper adjustment is made when plumbing fixture is cleansed after each flush without splashing out from the lip and a quiet flushing cycle is achieved.

!!!IMPORTANT!!!

Never open Control Stop to where the water flow from the valve exceeds the flow capability of the fixture. In the event of a valve failure, the fixture must be able to accommodate a continuous flow from the valve.



CARE AND CLEANING

DO NOT use any abrasive or chemical cleaners when cleaning Flushometer in order to avoid any damage to the chrome or special finish. ONLY use mild soap and water, then wipe dry with clean cloth or towel.

TROUBLESHOOTING

- 1. Flushometer does not flush.**
 - A. Control stop or main valve is closed. Open control stop or main valve.
 - B. Handle assembly is damaged. Replace or repair handle.
 - C. Relief valve is damaged. Replace or repair relief valve.
- 2. Volume of water is too low.**
 - A. Control stop is not open enough. Adjust control stop to allow more water volume to flow.
 - B. Diaphragm assembly is damaged. Replace diaphragm assembly.
 - C. Incorrect diaphragm assembly is installed. Determine the flush volume required by the fixture and replace with proper diaphragm.
 - D. Water supply volume or pressure is inadequate. Remove the relief valve from the diaphragm assembly, reassemble the flushometer, and completely open the control stop.
 - If the fixture siphons, more water volume is required. Install a higher flushing volume diaphragm assembly.

IMPORTANT- Laws and regulations prohibit the use of higher flushing volumes than listed on fixture or flushometer.

 - If the fixture does not siphon or if a low consumption flush is required, steps must be taken to increase the water pressure or volume. Contact the fixture manufacturer for minimum water supply requirements to the fixture.
- 3. Length of flush is too short.**
 - A. Diaphragm assembly is worn or damaged. Replace diaphragm assembly.
 - B. Handle assembly is damaged. Repair or replace handle assembly.
 - C. Incorrect diaphragm assembly is installed. Determine the flush volume required by the fixture and replace with proper diaphragm.
- 4. Length of flush is too long or continuous.**
 - A. Diaphragm bleed hole is clogged. Remove the diaphragm assembly. Wash the diaphragm assembly and make sure that there is no debris in the bleed hole and reassemble. Replace as necessary.
 - B. Diaphragm assembly or relief valve is damaged. Replace diaphragm assembly and relief valve.
 - C. Incorrect diaphragm assembly is installed. Determine the flush volume required by the fixture and replace with proper diaphragm.
 - D. Inside Cover is damaged. Replace inside cover.
 - E. Supply line pressure has dropped and is not sufficient enough to close the valve. Close control stop until pressure is restored.
 - F. Relief valve is not seated properly. Remove diaphragm assembly. Wash diaphragm and relief valve with soap and water. Re-install. Replace as necessary.
- 5. Chattering noise happens during flush.**
 - A. Inside Cover is damaged. Replace inside cover.
 - B. Relief valve or diaphragm assembly is damaged. Replace relief valve and diaphragm assembly.
- 6. Handle Leaks.**
 - A. Handle seal or assembly is damaged. Replace or repair as necessary.
- 7. Water splashes from fixture.**
 - A. Control stop is open too much. Adjust control stop down until desired volume is achieved.
 - B. Incorrect diaphragm assembly is installed. Determine the flush volume required by the fixture and replace with proper diaphragm.

Please call AMTC Technical Support at 1-800-874-7822 if further assistance is needed.

PARTS LISTS (REFER TO FIGURE A)

Ref. No.	Part No.	Description
1	MF01	Metal Outside Cover
2	MF02	Plastic Inside Cover
3	Refer to Chart Below	Relief Valve Assemblies
4	Refer to Chart Below	Diaphragm Assemblies
5	MF07	Valve Body Assembly
6	MF08-A-1	Handle Washer
7	MF08-A-2	Handle Hycar Seal
8	MF08-A-3	Handle Bushing
9	MF08-A-4	Handle Spring
10	MF08-A-5	Handle Pin
11	MF08-B-1	Handle
12	MF08-B-23	Handle Socket
13	MF08-B-4	Handle Coupling Nut
6,7,8,9,10	MF08-A-123	Handle Repair Kit
14	MF09-123	Vacuum Breaker Assembly
15	MF10-A-2T	Tail Piece 1-1/2" (38mm) x 9" (228mm)
16	MF10-A-2U	Tail Piece 3/4" (19mm) x 9" (228mm)
17	MF10-A-1	Tail Piece Coupling Nut
18	MF11-A-1T	Inside Nut for Water Closet 1-1/2" (38mm)
19	MF11-A-2T	Teflon Washer for Water Closet 1-1/2" (38mm)
20	MF11-A-3T	Rubber Washer for Water Closet 1-1/2" (38mm)
21	MF11-A-4T	Escutcheon for Water Closet 1-1/2" (38mm)
22	MF11-D-1U	Inside Nut for Urinal 3/4" (19mm)
23	MF11-D-2U	Teflon Washer for Urinal 3/4" (19mm)
24	MF11-D-3U	Rubber Washer for Urinal 3/4" (19mm)
25	MF11-D-4U	Escutcheon for Urinal 3/4" (19mm)
26	MF1314-3/4	Control Stop Assembly for Urinal (3/4")
26-1	MF1314-1	Control Stop Assembly for Water Closet (1")
27	MF15-2	Control Stop O-Ring
28	MF11-567	Flange Kit for Urinal (3/4")
28-1	MF16-123	Flange Kit for Water Closet (1")

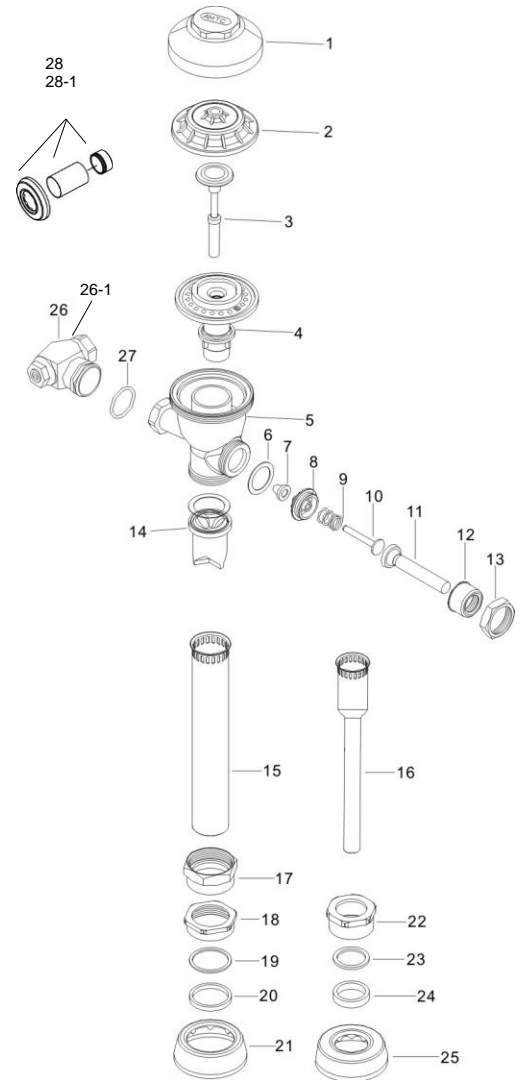


FIGURE A

Ref. No.	Part No.	Description
3	DI-RV-U18	Relief Valve Assembly for Manual Flushometer - Urinal 0.125gpf
3	DI-RV-U05	Relief Valve Assembly for Manual Flushometer - Urinal 0.5gpf
3	DI-RV-U10	Relief Valve Assembly for Manual Flushometer - Urinal 1.0gpf
3	DI-RV-U15	Relief Valve Assembly for Manual Flushometer - Urinal 1.5gpf
3	DI-RV-T11	Relief Valve Assembly for Manual Flushometer - Water Closet 1.1gpf
3	DI-RV-T12	Relief Valve Assembly for Manual Flushometer - Water Closet 1.28gpf
3	DI-RV-T16	Relief Valve Assembly for Manual Flushometer - Water Closet 1.6gpf
3	DI-RV-T35	Relief Valve Assembly for Manual Flushometer - Water Closet 3.5gpf
4	DI-SM-U18	Silicone Diaphragm Assembly for Manual Flushometer - Urinal 0.125gpf
4	DI-SM-U05	Silicone Diaphragm Assembly for Manual Flushometer - Urinal 0.5gpf
4	DI-SM-U10	Silicone Diaphragm Assembly for Manual Flushometer - Urinal 1.0gpf
4	DI-SM-U15	Silicone Diaphragm Assembly for Manual Flushometer - Urinal 1.5gpf
4	DI-SM-T11	Silicone Diaphragm Assembly for Manual Flushometer - Water Closet 1.1gpf
4	DI-SM-T12	Silicone Diaphragm Assembly for Manual Flushometer - Water Closet 1.28gpf
4	DI-SM-T16	Silicone Diaphragm Assembly for Manual Flushometer - Water Closet 1.6gpf
4	DI-SM-T35	Silicone Diaphragm Assembly for Manual Flushometer - Water Closet 3.5gpf

REPAIR KITS

Ref. No.	Part No.	Description
6,7,8,9,10	MF08-A-123	Handle Repair Kit
14	MF09-123	Vacuum Breaker Assembly
27	MF15-2	Control Stop O-Ring
N/S	MF13-1-7	Control Stop Repair Kit
N/S	MF-RK	Flushometer Rebuild Kit (Includes Handle Repair Kit, Vacuum Breaker Assembly, Control Stop O-Ring, Control Stop Repair Kit)

DIAPHRAGM REPAIR KITS

Ref. No.	Part No.	Description
3,4	DI-SRKM-U18	Silicone Diaphragm Repair Kit for Manual Flushometer - Urinal 0.125gpf
3,4	DI-SRKM-U05	Silicone Diaphragm Repair Kit for Manual Flushometer - Urinal 0.5gpf
3,4	DI-SRKM-U10	Silicone Diaphragm Repair Kit for Manual Flushometer - Urinal 1.0gpf
3,4	DI-SRKM-U15	Silicone Diaphragm Repair Kit for Manual Flushometer - Urinal 1.5gpf
3,4	DI-SRKM-T11	Silicone Diaphragm Repair Kit for Manual Flushometer - Water Closet 1.1gpf
3,4	DI-SRKM-T12	Silicone Diaphragm Repair Kit for Manual Flushometer - Water Closet 1.28gpf
3,4	DI-SRKM-T16	Silicone Diaphragm Repair Kit for Manual Flushometer - Water Closet 1.6gpf
3,4	DI-SRKM-T35	Silicone Diaphragm Repair Kit for Manual Flushometer - Water Closet 3.5gpf

Parts Price Lists are available online at www.amtcorporation.com or call factory for more information.

NOTE: The information contained in this document is subject to change without notice.

LIMITED WARRANTY

AMTC WARRANTS ITS PRODUCTS TO BE FREE OF DEFECTS IN MATERIAL AND WORKMANSHIP FOR A PERIOD OF FIVE (5) YEARS FROM DATE OF PURCHASE, WHEN PROPERLY INSTALLED AND UNDER NORMAL USE AND SERVICE. THESE PROVISIONS DO NOT INCLUDE THE BATTERIES SHIPPED WITH THE PRODUCTS. A DEFECTIVE PRODUCT MAY BE RETURNED TO AMTC OR ITS AUTHORIZED REPRESENTATIVES WITHIN FIVE (5) YEARS FROM DATE OF PURCHASE WITH THE PROPER INVOICE OF PURCHASE. AMTC AT ITS DISCRETION WILL REPLACE OR REPAIR DEFECTIVE PRODUCT AT NO CHARGE. CLAIMS FOR LABOR, TRANSPORTATION, AND ANY OTHER INCIDENTAL COSTS WILL NOT BE ALLOWED. AMTC WILL NOT BE RESPONSIBLE FOR ANY CONSIDERABLE DAMAGES OF ANY KIND WHATSOEVER.

FOR TECHNICAL SUPPORT PLEASE CALL TOLL FREE 1-800-874-7822 OR VISIT OUR WEBSITE AT WWW.AMTCORPORATION.COM.

MAKE SURE TO VISIT OUR WEBSITE PERIODICALLY FOR INFORMATION ON NEW PRODUCTS AND TO DOWNLOAD ANY IMPORTANT PRODUCT DOCUMENTS THAT YOU MAY NEED IN THE FUTURE.

Advanced Modern Technologies Corporation - 19800 Nordhoff Place - Chatsworth, CA 91311

Toll Free Tel: 800-874-7822 - Fax: 818-883-2620 - Email: sales@amtcorporation.com - Web: www.amtcorporation.com