



# HYBRIDFLUSH® ACCESSORIES

## PUSH BUTTON CONVERSION KIT

Model  
PBCK

### FUNCTION:

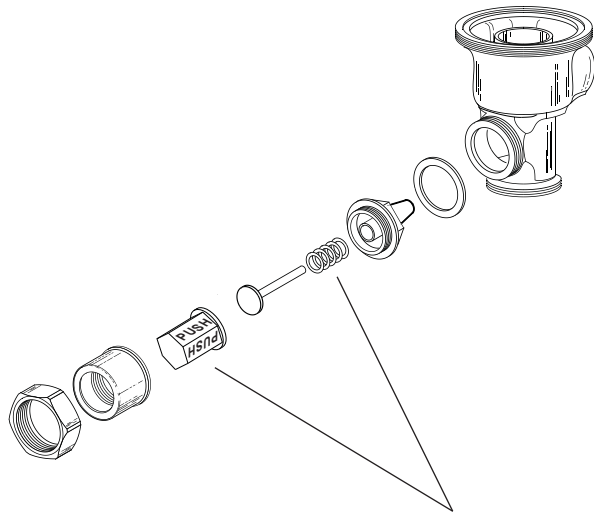
The push button is an alternate flush option for use with AMTC's **HYBRIDFLUSH®** automatic/manual flush valve system.

The Push Button Conversion Kit (PBCK) includes a push button and spring that replaces the existing flush handle and spring to convert it into a mechanical push button.

By using the push button with the **HYBRIDFLUSH®** system the user is able to flush the urinal or toilet manually even when the batteries on the **HYBRIDFLUSH®** system are drained. Installation of the push button also solves the "handle kicking problem" usually associated with flushometer handles therefore reducing maintenance from leaky seals and extending the life of the flushometer.

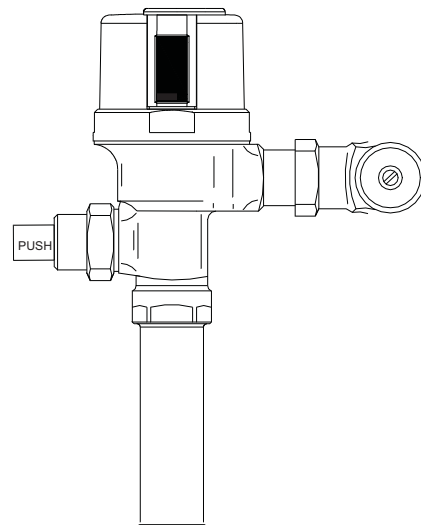


### INSTALLATION DIAGRAM:



**PBCK**  
(Push Button with Spring)

### APPLICATION:



Advanced Modern Technologies Corporation • 19800 Nordhoff Place • Chatsworth, CA 91311  
Tel: (818) 883-2682 • Toll Free: (800) 874-7822 • Fax: (818) 883 -2620 • [www.amtcorporation.com](http://www.amtcorporation.com)