



DUAL-FLUSH WATER CLOSET FLUSHOMETER

Model
MF-700-DFT35

Description

Exposed Dual-Flush Water Closet Flushometer for Floor Mounted or Wall Hung Top Spud Bowls.

Flush Cycle

☐ Model MF-700-DFT35 (3.5 gpf/13.2 Lpf and 2.45 gpf/9.27 Lpf)

Specifications

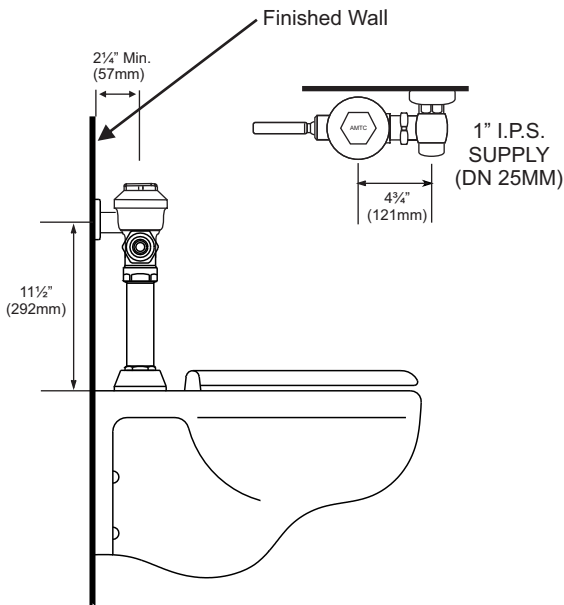
Dual-Flush Chrome Plated, Exposed, Diaphragm Type Water Closet Flushometer for use with Right or Left Side Water Supply

Features

- **Green Solution - Reduces Water Usage Per Flush When Pushed DOWN**
- Lift Handle **UP** for Solid Waste and Push Handle **DOWN** for Liquid Waste
- **Reduces Water Usage by up to 30% when Pushed DOWNWARDS**
- **No Behavioral Change Required By Users To Start Saving Water**
- Quiet Operation
- Uses Proprietary Silicone Diaphragm with Filtered Bypass
- ADA Compliant Non-Hold Open Sealed Brass Handle
- 1" I.P.S. Angle Stop
- Adjustable Tailpiece
- High Back Pressure Vacuum Breaker with Single Piece Hex Coupling Nut
- Spud Coupling and Flange for 1 1/2" Top Spud
- Sweat Solder Kit and Wall Flange with Set Screw
- No External Water Volume Adjustment
- Designed For Water Conservation



For Finish Variations Please Consult Factory



Warranty

5 Years



ADA Compliant

Architect/Engineer Approval

Job Name	_____
Date	_____
Model Specified	_____
Quantity	_____
Variations Specified	_____
Customer/Wholesaler	_____
Contractor	_____
Architect	_____

The information contained in this document is subject to change without notice.

Advanced Modern Technologies Corporation • 8367 Canoga Avenue • Canoga Park, CA 91304
Tel: (818) 883-2682 • Toll Free: (800) 874-7822 • Fax: (818) 883-2620 • www.amtccorporation.com