



# HYBRIDFLUSH<sup>®</sup>

AUTOMATIC/MANUAL FLUSH VALVE RETROFIT KIT

Model  
**AEF-801-RT**

## Description

Battery Powered, Sensor Operated, Gear Motor Driven **HYBRIDFLUSH<sup>®</sup>** Retrofit Conversion Kit For Exposed Water Closet (Toilet) Flushometers.

## Flush Cycle

- Model AEF-801-RT-35 (3.5 gpf/13.2 Lpf)
- Model AEF-801-RT-16 (1.6 gpf/6.0 Lpf)
- Model AEF-801-RT-12 (1.28 gpf/4.8 Lpf)

## Variations (Add suffix to model number for variations)

- S Locking Ring for Sloan<sup>®</sup> Valve Bodies
- Z Locking Ring for Zurn<sup>®</sup> Valve Bodies

## Features

- Patented BRV<sup>®</sup> and Gear Motor Drive
- Hands Free Infrared Sensor Activation
- Quiet Operation
- Retrofit Conversion Kit For Sloan<sup>®</sup> and Zurn<sup>®</sup> Manual Flushometers
- Uses Original Manual Diaphragm
- Independent Mechanical Override By Way of Original Manual Flush Handle or Button
- Adjustable Sensor Angle
- Easy Battery Replacement-No Water Shut Off Necessary
- Operates on (4) AA Alkaline Batteries (included)
- Battery Life - 3+ Years
- 6-Volt AC Power Adapter Kit (optional)
- User Friendly Three (3) Second Flush Delay
- Adjustable Sensor Range and Ghost Flush Mode
- Standard Vandal Resistant Chrome Plated Metal Cover
- Patented System Eliminates the use of a Solenoid
- Water Resistant Design

## Accessories (Add suffix to model number for accessories)

- PBCK Push Button Conversion Kit For Flush Handle
- HC801 Cover for Flush Handle
- AD801 6-Volt AC Power Adapter Kit
- PB-C Push Button Complete Assembly



\*AEF-801-RT unit shown installed on an existing flushometer.

\*AEF-801-RT units **DO NOT** include a Valve Body, Supply Stop or Vacuum Breaker.

## The HYBRIDFLUSH<sup>®</sup> Advantage

The **HYBRIDFLUSH<sup>®</sup>** is a revolutionary full-featured automatic/manual flush valve retrofit conversion kit. The **HYBRIDFLUSH<sup>®</sup>** automatic flush valve conversion kit will retrofit SLOAN<sup>®</sup> and ZURN<sup>®</sup> exposed manual flushometers on urinals and water closets (toilets). The **HYBRIDFLUSH<sup>®</sup>** incorporates a unique patented mechanism that allows for automatic/manual operation for unsurpassed reliability. The patented **HYBRIDFLUSH<sup>®</sup>** design allows for the original flush handle or push button to be used as an alternate flush option that is independent of the battery power. The **HYBRIDFLUSH<sup>®</sup>** by Advanced Modern Technologies Corporation is the most efficient, economical, and complete automatic flush valve system on the market.

**Warranty**  
5 Years



<b>Architect/Engineer Approval</b>	
<b>Job Name</b>	_____
<b>Date</b>	_____
<b>Model Specified</b>	_____
<b>Quantity</b>	_____
<b>Variations Specified</b>	_____
<b>Customer/Wholesaler</b>	_____
<b>Contractor</b>	_____
<b>Architect</b>	_____



# HYBRIDFLUSH<sup>®</sup>

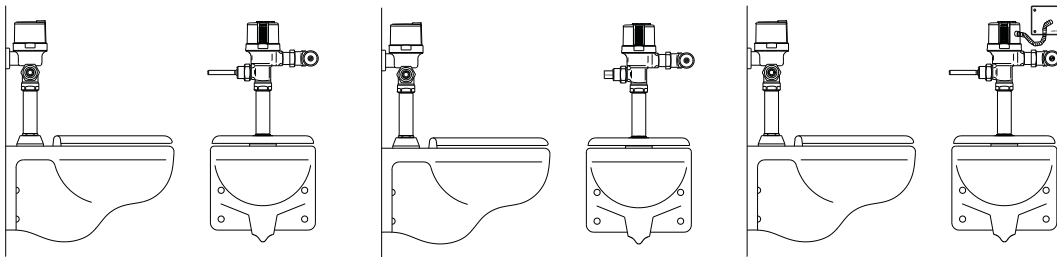
AUTOMATIC/MANUAL FLUSH VALVE RETROFIT KIT

Model  
**AEF-801-RT**

Specifications:

<b>Operation:</b>	<b>Hybrid (Automatic/Manual)</b>
<b>Outer Casing:</b>	<b>Standard-Chrome Metal</b>
<b>Operating Water Pressure:</b>	<b>15 PSI - 100 PSI</b>
<b>Sensor Type:</b>	<b>Infrared</b>
<b>Battery Type:</b>	<b>Four AA Alkaline Batteries</b>
<b>Battery Life:</b>	<b>3+ Years</b>
<b>AC Power (optional):</b>	<b>6-Volt AC Power Adapter Kit</b>
<b>Arming Delay:</b>	<b>5 Seconds</b>
<b>Flush Delay:</b>	<b>3 Seconds</b>
<b>Sensing Range:</b>	<b>18" (45cm) - 30" (75cm) Adjustable</b>
<b>Ghost Flush:</b>	<b>Once every 24 Hours From Last Flush</b>
<b>Sensor Angle:</b>	<b>Adjustable Angle</b>
<b>Flush Cycle:</b>	<b>Specified by Model</b>
<b>Model AEF-801-RT-35</b>	<b>3.5 gpf/13.2 Lpf</b>
<b>Model AEF-801-RT-16</b>	<b>1.6 gpf/6.0 Lpf</b>
<b>Model AEF-801-RT-12</b>	<b>1.28 gpf/4.8 Lpf</b>
<b>Flush Mode:</b>	<b>After Every Use</b>
<b>Manual Override:</b>	<b>Flush Handle/Push Button/None</b>

Application:

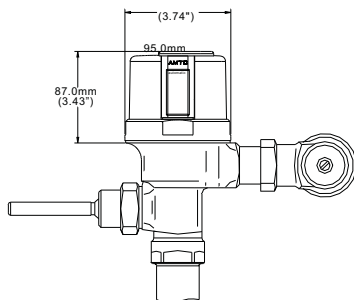


HYBRIDFLUSH<sup>®</sup> shown on water closet (toilet) with manual flush handle.

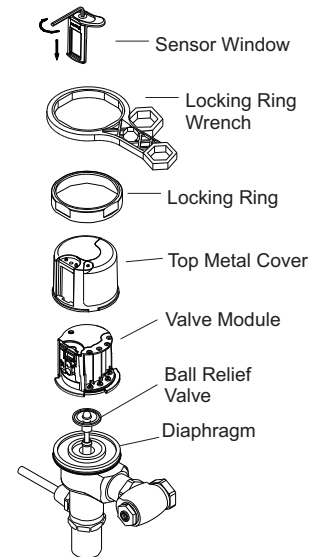
HYBRIDFLUSH<sup>®</sup> shown on water closet (toilet) with manual push button (PBC).

HYBRIDFLUSH<sup>®</sup> shown on water closet (toilet) with manual flush handle and 6-volt AC power adapter kit (AD801).

Dimensions:



Exploded View:



Advanced Modern Technologies Corporation • 6409 Independence Ave. • Woodland Hills, CA 91367  
Tel: (818) 883-2682 • Toll Free: (800) 874-7822 • Fax: (818) 883 -2620 • [www.amtccorporation.com](http://www.amtccorporation.com)