



HYBRIDFLUSH®

AUTOMATIC/MANUAL URINAL FLUSHOMETER

Model
AEF-801-CU

Description

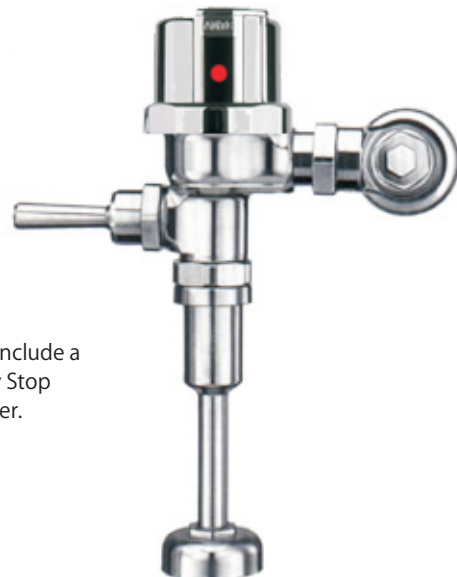
Exposed, Battery Powered, Sensor Operated, Gear Motor Driven **HYBRIDFLUSH®** Model Urinal Flushometer.

Flush Cycle

- Model AEF-801-CU-15 (1.5 gpf/5.7 Lpf)
- Model AEF-801-CU-10 (1.0 gpf/3.8 Lpf)
- Model AEF-801-CU-05 (0.5 gpf/1.9 Lpf)

Features

- Patented BRV® and Gear Motor Drive
- Hands Free Infrared Sensor Activation
- Quiet Operation
- Uses Original Manual Diaphragm
- Independent Mechanical Override By Way of Original Manual Flush Handle or Button
- Adjustable Sensor Angle
- Easy Battery Replacement-No Water Shut Off Necessary
- Operates on (4) AA Alkaline Batteries (included)
- Battery Life - 3+ Years
- 6-Volt AC Power Adapter Kit (optional)
- Adjustable Sensor Range, Water Saver Mode, and Ghost Flush Mode
- Standard Vandal Resistant Chrome Plated Metal Cover
- Patented System Eliminates the use of a Solenoid
- Water Resistant Design



*AEF-801-CU units include a Valve Body, Supply Stop and Vacuum Breaker.

The HYBRIDFLUSH® Advantage

The **HYBRIDFLUSH®** is a revolutionary full-featured automatic/manual flushometer. The **HYBRIDFLUSH®** incorporates a unique patented mechanism that allows for automatic/manual operation for unsurpassed reliability. The patented **HYBRIDFLUSH®** design allows for the original flush handle or push button to be used as an alternate flush option that is independent of the battery power. The **HYBRIDFLUSH®** by Advanced Modern Technologies Corporation is the most efficient, economical, and complete automatic flush valve system on the market.

Warranty
5 Years



Accessories (Add suffix to model number for accessories)

- PBCK Push Button Conversion Kit For Flush Handle
- HC801 Cover for Flush Handle
- AD801 6-Volt AC Power Adapter Kit

For Finish Variations Please Consult Factory

Architect/Engineer Approval

Job Name	_____
Date	_____
Model Specified	_____
Quantity	_____
Variations Specified	_____
Customer/Wholesaler	_____
Contractor	_____
Architect	_____

The information contained in this document is subject to change without notice.
Revision (6/11)



HYBRIDFLUSH[®]

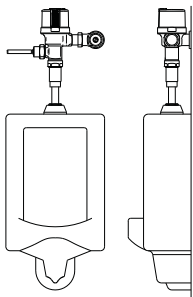
AUTOMATIC/MANUAL URINAL FLUSHOMETER

Model
AEF-801-CU

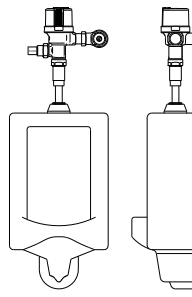
Specifications:

Operation:	Hybrid (Automatic/Manual)
Outer Casing:	Standard-Chrome Metal
Operating Water Pressure:	15 PSI - 100 PSI
Sensor Type:	Infrared
Battery Type:	Four AA Alkaline Batteries
Battery Life:	3+ Years
AC Power (optional):	6-Volt AC Power Adapter Kit
Arming Delay:	5 Seconds
Sensing Range:	18" (45cm) - 30" (75cm) Adjustable
Ghost Flush:	Once every 24 Hours From Last Flush
Sensor Angle:	Adjustable Angle
Flush Cycle:	Specified by Model
Model AEF-801-CU-15	1.5 gpf/5.7 Lpf
Model AEF-801-CU-10	1.0 gpf/3.8 Lpf
Model AEF-801-CU-05	0.5 gpf/1.9 Lpf
Flush Mode:	After Every Use
Water Saver Mode:	After Every Other Use
Manual Override:	Flush Handle/Push Button/None

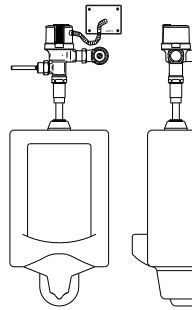
Application:



HYBRIDFLUSH[®] shown on urinal with manual flush handle.

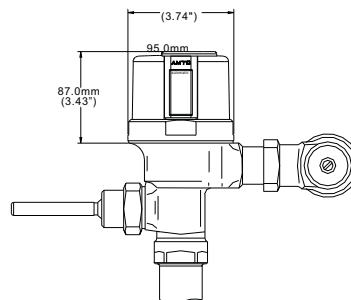
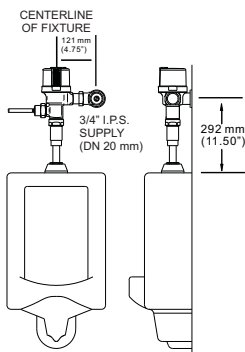


HYBRIDFLUSH[®] shown on urinal with manual push button (PBCK).

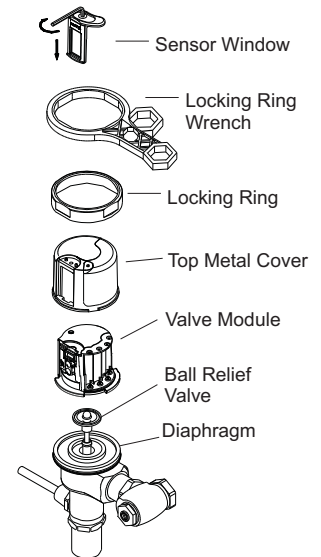


HYBRIDFLUSH[®] shown on urinal with manual flush handle and 6-volt AC power adapter kit (AD801).

Dimensions:



Exploded View:



Advanced Modern Technologies Corporation • 19800 Nordhoff Place • Chatsworth, CA 91311
Tel: (818) 883-2682 • Toll Free: (800) 874-7822 • Fax: (818) 883-2620 • www.amtcorporation.com