



HYBRIDFLUSH[®]

AUTOMATIC/MANUAL WATER CLOSET FLUSHOMETER

Model
AEF-801-CT

Description

Exposed, Battery Powered, Sensor Operated, Gear Motor Driven
HYBRIDFLUSH[®] Model Water Closet Flushometer for floor mounted
or wall hung top spud bowls.

Flush Cycle

- Model AEF-801-CT-35 (3.5 gpf/13.2 Lpf)
- Model AEF-801-CT-16 (1.6 gpf/6.0 Lpf)
- Model AEF-801-CT-12 (1.28 gpf/4.8 Lpf)

Features

- Patented BRV[®] and Gear Motor Drive
- Hands Free Infrared Sensor Activation
- Quiet Operation
- Uses Original Manual Diaphragm
- Independent Mechanical Override By Way of Original Manual Flush Handle or Button
- Adjustable Sensor Angle
- Easy Battery Replacement-No Water Shut Off Necessary
- Operates on (4) AA Alkaline Batteries (included)
- Battery Life - 3+ Years
- 6-Volt AC Power Adapter Kit (optional)
- User Friendly Three (3) Second Flush Delay
- Adjustable Sensor Range and Ghost Flush Mode
- Standard Vandal Resistant Chrome Plated Metal Cover
- Patented System Eliminates the use of a Solenoid
- Water Resistant Design



***AEF-801-CT** units include a Valve Body, Supply Stop and Vacuum Breaker.

The HYBRIDFLUSH[®] Advantage

The **HYBRIDFLUSH[®]** is a revolutionary full-featured automatic/manual flushometer. The **HYBRIDFLUSH[®]** incorporates a unique patented mechanism that allows for automatic/manual operation for unsurpassed reliability. The patented **HYBRIDFLUSH[®]** design allows for the original flush handle or push button to be used as an alternate flush option that is independent of the battery power. The **HYBRIDFLUSH[®]** by Advanced Modern Technologies Corporation is the most efficient, economical, and complete automatic flush valve system on the market.

Warranty
5 Years



Accessories (Add suffix to model number for accessories)

- PBCK Push Button Conversion Kit For Flush Handle
- HC801 Cover for Flush Handle
- AD801 6-Volt AC Power Adapter Kit

Architect/Engineer Approval	
Job Name	_____
Date	_____
Model Specified	_____
Quantity	_____
Variations Specified	_____
Customer/Wholesaler	_____
Contractor	_____
Architect	_____



HYBRIDFLUSH[®]

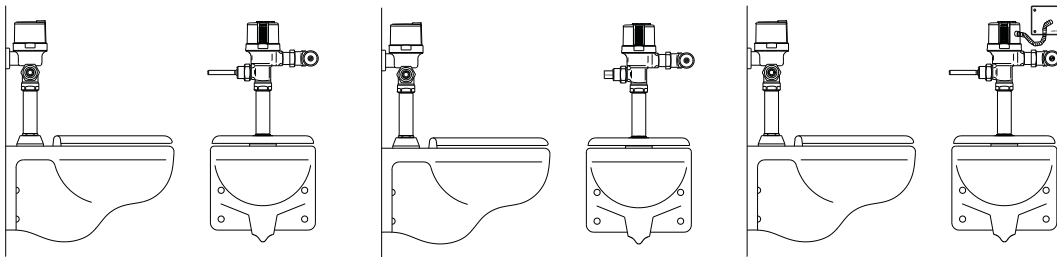
AUTOMATIC/MANUAL WATER CLOSET FLUSHOMETER

Model
AEF-801-CT

Specifications:

Operation:	Hybrid (Automatic/Manual)
Outer Casing:	Standard-Chrome Metal
Operating Water Pressure:	15 PSI - 100 PSI
Sensor Type:	Infrared
Battery Type:	Four AA Alkaline Batteries
Battery Life:	3+ Years
AC Power (optional):	6-Volt AC Power Adapter Kit
Arming Delay:	5 Seconds
Flush Delay:	3 Seconds
Sensing Range:	18" (45cm) - 30" (75cm) Adjustable
Ghost Flush:	Once every 24 Hours From Last Flush
Sensor Angle:	Adjustable Angle
Flush Cycle:	Specified by Model
Model AEF-801-CT-35	3.5 gpf/13.2 Lpf
Model AEF-801-CT-16	1.6 gpf/6.0 Lpf
Model AEF-801-CT-12	1.28 gpf/4.8 Lpf
Flush Mode:	After Every Use
Manual Override:	Flush Handle/Push Button/None

Application:

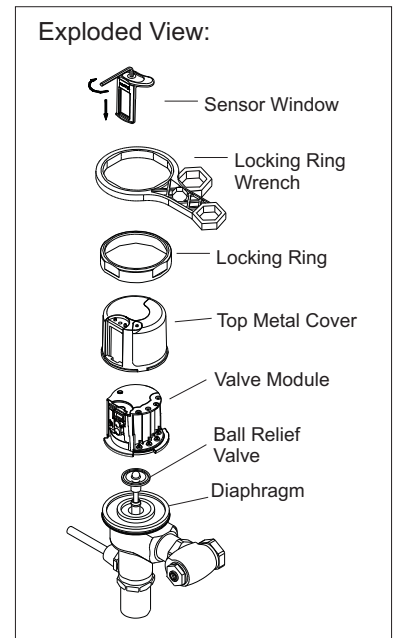
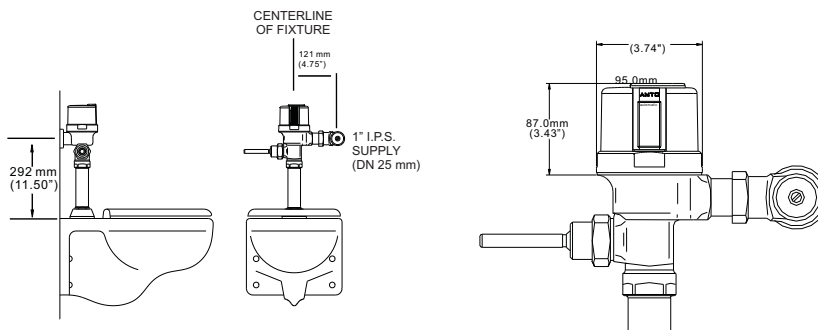


HYBRIDFLUSH[®] shown on water closet (toilet) with manual flush handle.

HYBRIDFLUSH[®] shown on water closet (toilet) with manual push button (PBCK).

HYBRIDFLUSH[®] shown on water closet (toilet) with manual flush handle and 6-volt AC power adapter kit (AD801).

Dimensions:



Advanced Modern Technologies Corporation • 6409 Independence Ave. • Woodland Hills, CA 91367
Tel: (818) 883-2682 • Toll Free: (800) 874-7822 • Fax: (818) 883 -2620 • www.amtccorporation.com