



HYBRIDFLO[®]

AUTOMATIC FAUCET SYSTEMS

Model
AEF-304

Description

Sensor Operated, Gear Motor Driven, Chrome Plated Brass Wall Mounted Automatic Faucet System For Tempered or Hot/Cold Water Operation

Flow Rate

- 0.4 gpm/1.5 Lpm Spray Head
- 0.5 gpm/1.9 Lpm Spray Head

Specifications

- Chrome Plated Solid Brass Wall Mounted Spout (Standard)
- Less Than 0.25% Lead Content by Weighted Average
- Patented BRV[®] and Gear Motor Drive
- Hands Free Infrared Sensor Activation
- Powered by Four (4) C-Cell Batteries (Included)
- Easy Battery Replacement - No Water Shut Off Necessary
- Removable Filtering System (Easily Cleaned)
- 2 Second Shut Off Delay
- Adjustable Digital Sensing Range: 2" (55mm) - 6" (150mm)
- Automatic Water Flow Shut-Off: 50 Seconds
- Operating Water Pressure: 10-125 PSI
- Easy Installation
- ADA Compliant

Accessories (Add suffix to model number for accessories)

Alternate Spray Heads

- SH10 1.0 gpm/3.8 Lpm Spray Head
- SH15 1.5 gpm/5.7 Lpm Laminar Flow Spray Head

Alternate Power Options

- HG01 Plug-in Hydro-power Electric Generator
- AD01 Plug-in 6-Volt AC Power Adapter

Temperature Mixing Valves

- MV Mechanical Mixing Valve (Below Deck)
- TMV Thermostatic Mixing Valve (Below Deck)

For Finish Variations Please Consult Factory



The HYBRIDFLO[®] Advantage

The **HYBRIDFLO[®]** Automatic Faucet System incorporates patented BRV[®] technology with a state of the art high quality gear motor drive mechanism. By using a gear motor instead of a solenoid, the **HYBRIDFLO[®]** Automatic Faucet System achieves a level of reliability rarely experienced with other automatic faucet systems. The spout of the faucet is built of high quality solid brass. The design of the control box allows for easy installation and conceals all mechanical and electrical components. An easy to clean filter assures easy maintenance, long life, and ultimate performance.

The unique design of the **HYBRIDFLO[®]** Automatic Faucet System allows for the use of various power options including battery power, electrical power (with battery back-up), or an environmentally friendly hydro-power electric generator.



Warranty
5 Years



Architect/Engineer Approval

Job Name	_____
Date	_____
Model Specified	_____
Quantity	_____
Variations Specified	_____
Customer/Wholesaler	_____
Contractor	_____
Architect	_____



HYBRIDFLO[®]

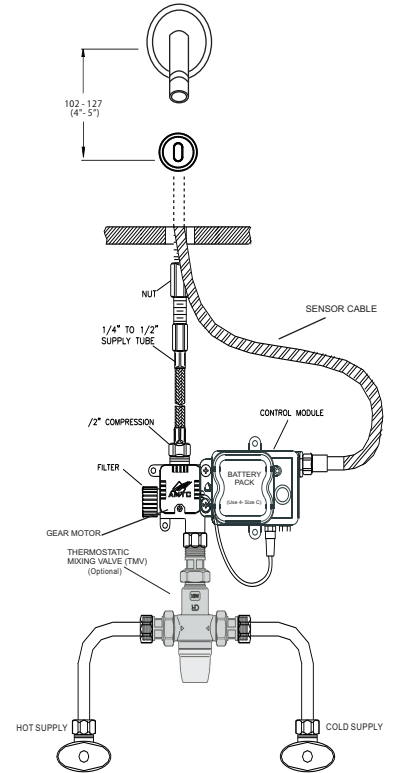
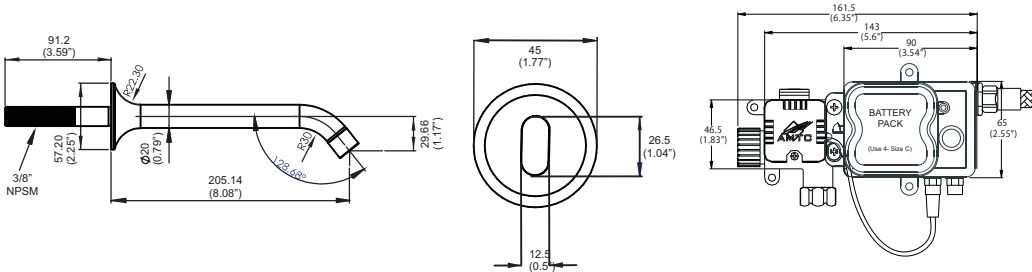
AUTOMATIC FAUCET SYSTEMS

Model
AEF-304

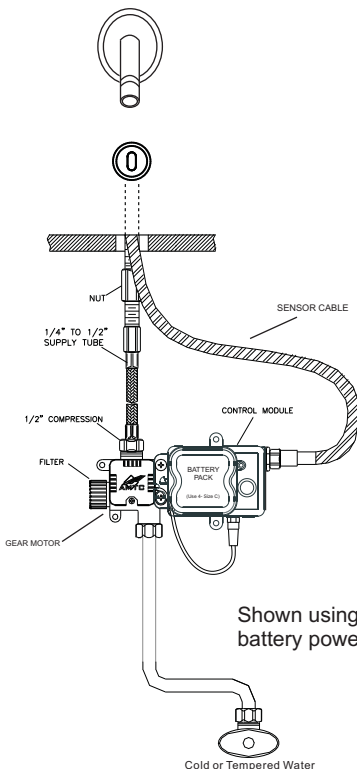
Specifications:

Operation:	Automatic (Gear Motor Drive)
Spout:	Solid Brass Spout
Mounting Applications:	Wall Mounted
Sensor Type:	Infrared
Battery Type:	Four (4) C-Cell
Battery Life:	400,000 Cycles or 3 Years
Alternate Power (optional):	Plug-in 6-Volt AC Power Adapter Plug-in Hydro-power Electric Generator
Working Water Pressure:	10-125 PSI
Supply Inlet Size:	1/2" Supply Inlet
Temperature Control:	None (use TMV to mix hot/cold water)
Pop-Up Drain Rod:	None
Sensor Location:	Wall Mounted
Sensor Range Setting:	Digital Push Button
Sensing Range:	2"(55mm) - 6"(150mm)
Shut-Off Delay Time:	2 Seconds
Automatic Shut-Off Time:	50 Seconds
Low Battery Indicator:	Solid Red Light on Sensor

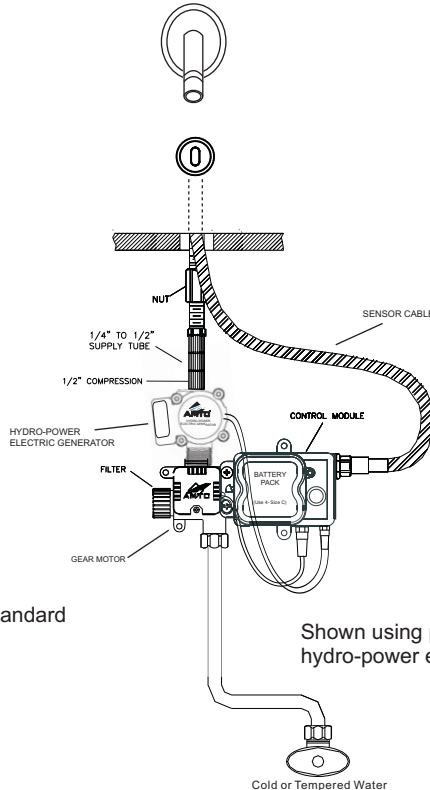
Dimensions:



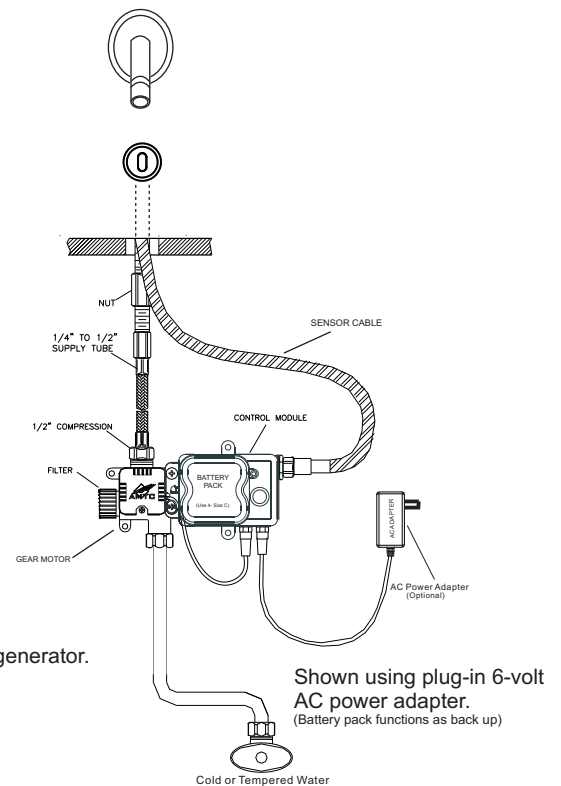
Shown using hot and cold water mixing



Shown using standard battery power.



Shown using plug-in hydro-power electric generator.



Shown using plug-in 6-volt AC power adapter. (Battery pack functions as back up)

Advanced Modern Technologies Corporation • 19800 Nordhoff Place • Chatsworth, CA 91311

Tel: (818) 883-2682 • Toll Free: (800) 874-7822 • Fax: (818) 883-2620 • www.amtccorporation.com